

Features:

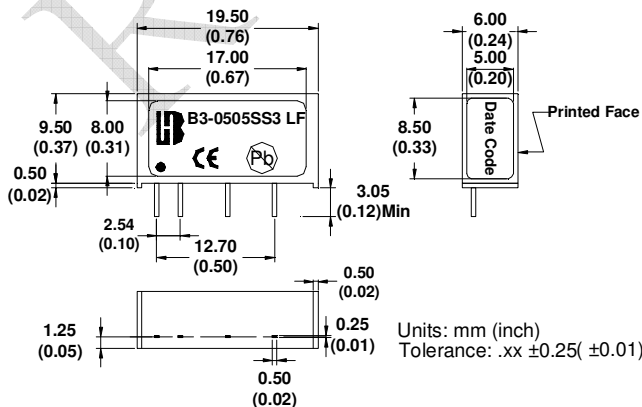
- Input Filter With Internal Capacitor
- Input / Output Isolation 1K Vdc Or 3K Vdc(H)
- Low Ripple And Noise
- 100% Burn-In
- Un-Regulated type
- Net Weight : 2.2 g / 2.7 g Typical
- 7 Pin SIL / 14 Pin DIL Package
- Custom Design Available
- **Safety Approval EN60950-1**

Technical Specification (1/2):

Model No.	Input Voltage (Vdc)	Output Voltage (Vdc)	Output Current (mA) Max	Input Current @No Load (mA) Typ.	Input Current @Max. Load (mA) Typ.	Output Ripple (mV) Max.	Load Regulation (%) Max.	Efficiency (%)Typ.
1) Single Output SIL Package Style								
B3-0505SS3(H) LF	5	5	600	45	769	60	± 12	78
B3-0512SS3(H) LF		12	250	42	759	100	± 8	79
B3-0515SS3(H) LF		15	200	38	750	120	± 8	80
B3-1205SS3(H) LF	12	5	600	38	333	60	± 10	75
B3-1212SS3(H) LF		12	250	30	316	100	± 8	79
B3-1215SS3(H) LF		15	200	28	309	120	± 5	81
B3-2405SS3(H) LF	24	5	600	9	158	60	± 8	79
B3-2412SS3(H) LF		12	250	9	152	100	± 5	82
B3-2415SS3(H) LF		15	200	9	152	120	± 5	82
3) Dual Output SIL Package Style								
B3-0505S3(H) LF	5	± 5	± 300	50	769	60	± 12	78
B3-0512S3(H) LF		± 12	± 125	43	723	100	± 8	83
B3-0515S3(H) LF		± 15	± 100	40	714	120	± 8	84
B3-1205S3(H) LF	12	± 5	± 300	40	333	60	± 10	78
B3-1212S3(H) LF		± 12	± 125	30	312	100	± 8	80
B3-1215S3(H) LF		± 15	± 100	28	312	120	± 5	80
B3-2405S3(H) LF	24	± 5	± 300	8	160	60	± 8	78
B3-2412S3(H) LF		± 12	± 125	8	147	100	± 5	85
B3-2415S3(H) LF		± 15	± 100	9	151	120	± 5	83

Mechanical Dimensions (1/2):

SIL Package Style



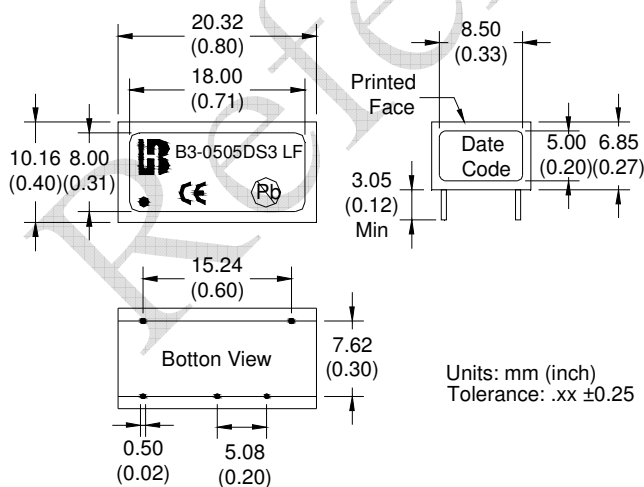
Pin	Single Output		Pin	Dual Output	
	1K Vdc	3K Vdc		1K Vdc	1K Vdc
1	+Vin	+Vin	1	+Vin	+Vin
2	-Vin	-Vin	2	-Vin	-Vin
3	No Pin	No Pin	3	No Pin	No Pin
4	-Vo	No Pin	4	-Vo	No Pin
5	No Pin	-Vo	5	Common	-Vo
6	+Vo	No Pin	6	+Vo	Common
7	No Pin	+Vo	7	No Pin	+Vo

Technical Specification(2/2):

Model No.	Input Voltage (Vdc)	Output Voltage (Vdc)	Output Current (mA) Max	Input Current @No Load (mA) Typ.	Input Current @Max. Load (mA) Typ.	Output Ripple (mV) Max.	Load Regulation (%) Max.	Efficiency (%)Typ.
1) Single Output DIL Package Style								
B3-0505DS3(H) LF	5	5	600	48	769	60	± 12	78
B3-0512DS3(H) LF		12	250	45	759	100	± 8	79
B3-0515DS3(H) LF		15	200	40	750	120	± 8	80
B3-1205DS3(H) LF	12	5	600	40	333	60	± 10	75
B3-1212DS3(H) LF		12	250	35	316	100	± 8	79
B3-1215DS3(H) LF		15	200	30	309	120	± 5	81
B3-2405DS3(H) LF	24	5	600	9	158	60	± 8	79
B3-2412DS3(H) LF		12	250	9	152	100	± 5	82
B3-2415DS3(H) LF		15	200	9	152	120	± 5	82
3) Dual Output DIL Package Style								
B3-0505D3(H) LF	5	± 5	± 300	53	779	60	± 12	77
B3-0512D3(H) LF		± 12	± 125	45	723	100	± 8	83
B3-0515D3(H) LF		± 15	± 100	42	723	120	± 8	83
B3-1205D3(H) LF	12	± 5	± 300	40	333	60	± 10	78
B3-1212D3(H) LF		± 12	± 125	35	312	100	± 8	80
B3-1215D3(H) LF		± 15	± 100	30	312	120	± 5	80
B3-2405D3(H) LF	24	± 5	± 300	9	160	60	± 8	78
B3-2412D3(H) LF		± 12	± 125	9	147	100	± 5	85
B3-2415D3(H) LF		± 15	± 100	9	151	120	± 5	83

Mechanical Dimensions (2/2):

DIL Package Style



Pin	1K Vdc-Single		Pin
1	-Vin	+Vin	14
2	No Pin	No Pin	13
3			12
4			-Vo
5	No Pin	+Vo	10
6	+Vo	No Pin	9
7	NC	No Pin	8

Pin	3K Vdc-Single		Pin
1	-Vin	+Vin	14
2	No Pin	No Pin	13
3			12
4			-Vo
5	-Vo	No Pin	10
6	No Pin	+Vo	9
7	NC	+Vo	8

Pin	1K Vdc-Dual		Pin
1	-Vin	+Vin	14
2	No Pin	No Pin	13
3			12
4			-Vo
5	No Pin	+Vo	10
6	+Vo	No Pin	9
7	NC	Common	8

Pin	3K Vdc-Dual		Pin
1	-Vin	+Vin	14
2	No Pin	No Pin	13
3			12
4			-Vo
5	-Vo	Common	10
6	Common	+Vo	9
7	NC	+Vo	8