

Features:

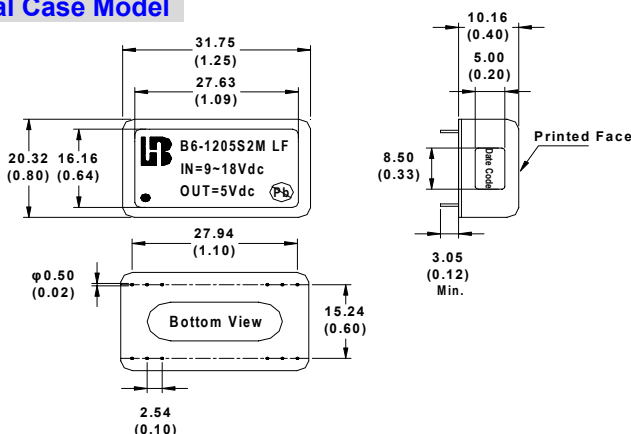
- Wide 2 : 1 Input Range
- Input π- Filter
- Input / Output Isolation 1.5K Vdc
- Low Ripple And Noise
- 100% Burn-In
- Regulated type
- Net Weight : 12 g / 14 g Typical
- 24 Pin DIL Package
- Custom Design Available

Technical Specification(1/2):

Model No.	Input Voltage (Vdc)	Output Voltage (Vdc)	Output Current (mA) Max	Input Current @No Load (mA) Typ.	Input Current @Max. Load (mA) Typ.	Output Ripple (mV) Max.	Load Regulation (%) Max.	Efficiency (%)Typ.
1) 1.5 W Single Output Series								
B6-123R3S1 LF	9~18	3.3	400	9	170	50	± 0.5	68
B6-1205S1 LF		5	300	9	178	50	± 0.5	70
B6-1212S1 LF		12	125	9	172	100	± 0.5	73
B6-2405S1 LF	18~36	5	300	6	87	50	± 0.5	72
B6-2412S1 LF		12	125	6	84	100	± 0.5	75
B6-2415S1 LF		15	100	6	82	120	± 0.5	77
B6-4805S1 LF	36~72	5	300	3	43	50	± 0.5	73
2) 2.0 W Single Output Series								
B6-1205S2 LF	9~18	5	400	9	235	50	± 0.5	71
B6-1215S2 LF		15	134	9	226	120	± 0.5	74
B6-2405S2 LF	18~36	5	400	6	116	50	± 0.5	72
B6-2412S2 LF		12	167	6	113	100	± 0.5	74
B6-2415S2 LF		15	134	6	109	120	± 0.5	77
B6-4805S2 LF	36~72	5	400	3	57	50	± 0.5	73
B6-4812S2 LF		12	167	3	55	100	± 0.5	76
3) 3.0 W Single Output Series								
B6-1205S3 LF	9~18	5	600	20	338	50	± 0.5	74
B6-1212S3 LF		12	250	25	325	100	± 0.5	77
B6-2405S3 LF	18~36	5	600	12	169	50	± 0.5	74
B6-2412S3 LF		12	250	15	162	100	± 0.5	77
B6-2415S3 LF		15	200	17	158	120	± 0.5	78
B6-4805S3 LF	36~72	5	600	7	85	50	± 0.5	74
B6-4812S3 LF		12	250	8	80	100	± 0.5	78

Mechanical Dimensions(1/2):

Metal Case Model



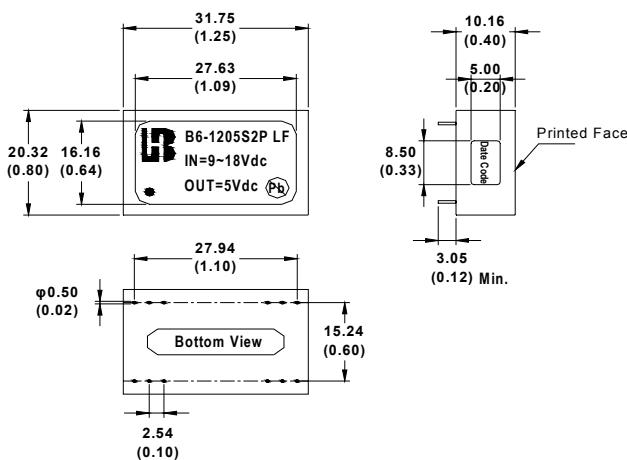
Pin	Single Output		Pin	Dual Output		Pin
1	+Vin	+Vin	24	+Vin	+Vin	24
2~3	NC	NC	22~23	-Vo	-Vo	23
4~9	No Pin	No Pin	16~21	Common	Common	22
10	-Vo	-Vo	15	No Pin	No Pin	16~21
11	+Vo	+Vo	14	Common	Common	15
12	-Vin	-Vin	13	+Vo	+Vo	14
				-Vin	-Vin	13

Technical Specification(2/2):

Model No.	Input Voltage (Vdc)	Output Voltage (Vdc)	Output Current (mA) Max	Input Current @No Load (mA) Typ.	Input Current @Max. Load (mA) Typ.	Output Ripple (mV) Max.	Load Regulation (%) Max.	Efficiency (%)Typ.
4) 1.5 W Dual Output Series								
B6-123R3D1 LF	9~18	± 3.3	± 200	9	160	50	± 2	69
B6-1205D1 LF		± 5	± 150	9	169	50	± 2	74
B6-2405D1 LF	18~36	± 5	± 150	8	84	50	± 2	75
B6-2412D1 LF		± 12	± 63	8	80	100	± 2	79
B6-2415D1 LF		± 15	± 50	8	79	120	± 2	79
B6-4805D1 LF	36~72	± 5	± 150	3	42	50	± 2	74
B6-4815D1 LF		± 15	± 50	3	40	120	± 2	79
5) 2.0 W Dual Output Series								
B6-1205D2 LF	9~18	± 5	± 200	9	225	60	± 2	74
B6-1212D2 LF		± 12	± 83	9	215	60	± 2	77
B6-2405D2 LF	18~36	± 5	± 200	6	110	60	± 2	76
B6-4805D2 LF	36~72	± 5	± 200	3	56	60	± 2	75
B6-4812D2 LF		± 12	± 83	3	53	100	± 2	78
6) 3.0 W Dual Output Series								
B6-1205D3 LF	9~18	± 5	± 300	20	333	60	± 2	75
B6-1212D3 LF		± 12	± 125	23	321	100	± 2	78
B6-2405D3 LF	18~36	± 5	± 300	13	162	60	± 2	77
B6-2412D3 LF		± 12	± 125	15	156	100	± 2	80
B6-4805D3 LF	36~72	± 5	± 300	7	83	60	± 2	76
B6-4812D3 LF		± 12	± 125	8	79	100	± 2	79
B6-4815D3 LF		± 15	± 100	10	78	120	± 2	80

Mechanical Dimensions(2/2):

Plastic Case Model



Pin	Single Output		Pin	Dual Output		Pin	
1	+Vin	+Vin	24	1	+Vin	+Vin	24
2~3	NC	NC	22~23	2	-Vo	-Vo	23
4~9	No Pin	No Pin	16~21	3	Common	Common	22
10	-Vo	-Vo	15	4~9	No Pin	No Pin	16~21
11	+Vo	+Vo	14	10	Common	Common	15
12	-Vin	-Vin	13	11	+Vo	+Vo	14
				12	-Vin	-Vin	13