



Features:

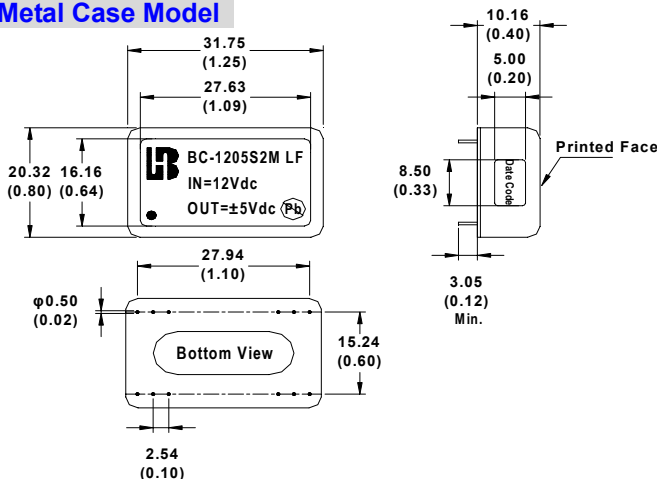
- Input Filter With Internal Capacitor
- Input / Output Isolation 1K Vdc Or 3K Vdc(H)
- Low Ripple And Noise
- 100% Burn-In
- Regulated type
- Net Weight : 11.3 g / 14 g Typical
- 24 Pin DIL Package
- Custom Design Available

Technical Specification(1/2):

Model No.	Input Voltage (Vdc)	Output Voltage (Vdc)	Output Current (mA) Max	Input Current @No Load (mA) Typ.	Input Current @Max. Load (mA) Typ.	Output Ripple (mV) Max.	Load Regulation (%) Max.	Efficiency (%)Typ.
1) 1.5 W Single Output Series								
BC-053R6S1(H) LF	5	3.6	400	28	443	60	± 0.5	65
BC-0505S1(H) LF		5	300	25	454	60	± 0.5	66
BC-1205S1(H) LF	12	5	300	16	184	60	± 0.5	68
BC-1212S1(H) LF		12	125	16	181	100	± 0.5	69
BC-2405S1(H) LF	24	5	300	5	96	60	± 0.5	65
BC-247R2S1(H) LF		7.2	200	5	91	70	± 0.5	66
BC-2415S1(H) LF		15	100	4	91	120	± 0.5	69
2) 2.0 W Single Output Series								
BC-0505S2(H) LF	5	5	400	45	615	70	± 0.5	65
BC-0509S2(H) LF		9	200	43	545	90	± 0.5	66
BC-1205S2(H) LF	12	5	400	18	252	70	± 0.5	66
BC-1209S2(H) LF		9	200	18	220	90	± 0.5	68
BC-1212S2(H) LF		12	167	18	245	100	± 0.5	68
BC-2405S2(H) LF	24	5	400	5	128	70	± 0.5	65
BC-2412S2(H) LF		12	167	5	121	100	± 0.5	69
3) 3.0 W Single Output Series								
BC-0505S3(H) LF	5	5	600	50	938	70	± 0.5	64
BC-0512S3(H) LF		12	250	45	910	100	± 0.5	66
BC-1205S3(H) LF	12	5	600	20	378	70	± 0.5	66
BC-1209S3(H) LF		9	333	20	362	90	± 0.5	69
BC-1212S3(H) LF		12	250	20	362	100	± 0.5	69
BC-2405S3(H) LF	24	5	600	6	192	70	± 0.5	65
BC-2412S3(H) LF		12	250	6	181	100	± 0.5	66

Mechanical Dimensions(1/2):

Metal Case Model



Pin	Single	Pin
1	NC	24
2	+Vin	-Vin
3~11	No Pin	14~22
12	-Vo	+Vo

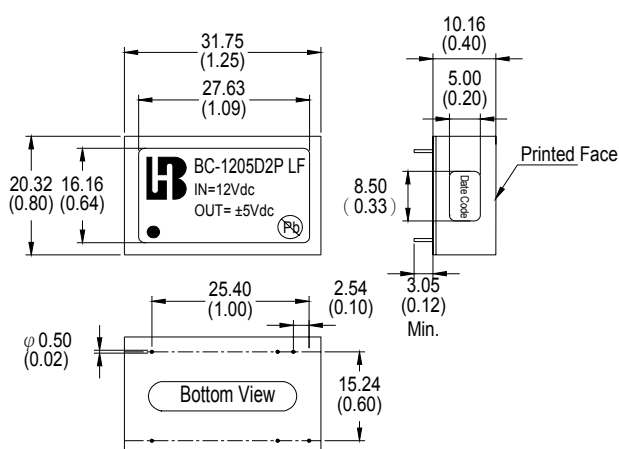
Pin	Dual		Pin
1	No Pin	No Pin	24
2	+Vin	-Vin	23
3~9	No Pin	No Pin	16~22
10	Common	+Vo	15
11		No Pin	14
12	No Pin	-Vo	13

Technical Specification(2/2):

Model No.	Input Voltage (Vdc)	Output Voltage (Vdc)	Output Current (mA) Max	Input Current @No Load (mA) Typ.	Input Current @Max. Load (mA) Typ.	Output Ripple (mV) Max.	Load Regulation (%) Max.	Efficiency (%)Typ.
4) 1.5 W Dual Output Series								
BC-053R6D1(H) LF	5	±3.6	±200	28	443	70	± 2	65
BC-0505D1(H) LF		±5	±150	25	454	70	± 2	66
BC-1205D1(H) LF	12	±5	±150	16	184	70	± 2	68
BC-1212D1(H) LF		±12	±63	16	181	100	± 2	69
BC-2405D1(H) LF	24	±5	±150	5	96	70	± 2	65
BC-247R2D1(H) LF		±7.2	±100	5	91	75	± 2	66
BC-2415D1(H) LF		±15	±50	4	91	120	± 2	69
5) 2.0 W Dual Output Series								
BC-0505D2(H) LF	5	±5	±200	45	615	70	± 2	65
BC-0512D2(H) LF		±12	±83	43	606	100	± 2	66
BC-1205D2(H) LF	12	±5	±200	18	252	70	± 2	66
BC-2405D2(H) LF	24	±5	±200	5	128	70	± 2	65
BC-2412D2(H) LF		±12	±83	5	121	100	± 2	69
6) 3.0 W Dual Output Series								
BC-0505D3(H) LF	5	± 5	± 300	50	938	70	± 2	64
BC-0512D3(H) LF		± 12	± 125	45	910	100	± 2	66
BC-1205D3(H) LF	12	± 5	± 300	20	378	70	± 2	66
BC-1212D3(H) LF		± 12	± 125	20	362	100	± 2	69
BC-2405D3(H) LF	24	± 5	± 300	6	192	70	± 2	65
BC-2412D3(H) LF		± 12	± 125	6	181	100	± 2	69
BC-2415D3(H) LF		± 15	± 100	6	181	120	± 2	69

Mechanical Dimensions(2/2):

Plastic Case Model



Pin	Single		Pin	Pin	Dual		Pin
1	NC	NC	24	1	No Pin	No Pin	24
2	+Vin	-Vin	23	2	+Vin	-Vin	23
3~11	No Pin	No Pin	14~22	3~9	No Pin	No Pin	16~22
12	-Vo	+Vo	13	10	Common	+Vo	15
				11		No Pin	14
				12	No Pin	-Vo	13