

KEY FEATURES

- Switching Power Module for PCB Mountable
- Fully Encapsulated Plastic Case
- Universal Input Range 90-264VAC, 47-440 Hz
- Low Standby <0.25W
- Regulated Output and Low Ripple and Low Noise
- Isolation Class II
- Small Size: 2.07 x 1.08 x 0.93 Inches
- Screw Terminal For Optional
- CE, CB and UL Approval
- 3-Year Product Warranty



ELECTRICAL SPECIFICATIONS

All specifications valid at normal input voltage, full load and +25°C after warm-up time unless otherwise stated.

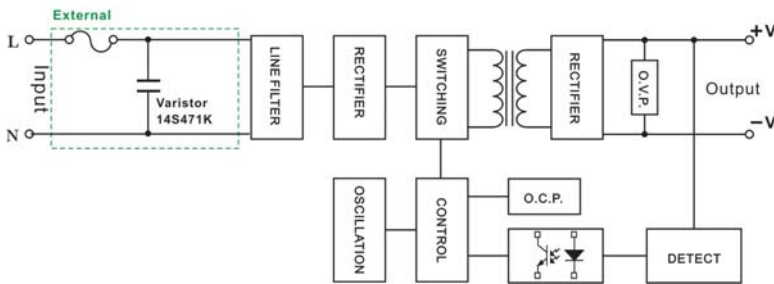
Model No.	AFCN-3.3S	AFCN-5S	AFCN-12S	AFCN-15S	AFCN-24S
Max Output Wattage (W)	8.25W	10W	10W	10W	10W
Input	Voltage				
	90-264 VAC or 120-370 VDC				
	Frequency (Hz)				
	47-440 Hz				
	Current (Full load)				
	220 mA max. (115 VAC) / 150 mA max. (230 VAC)				
Output	Inrush Current (<2ms,Cold Start)				
	20 A max. (115 VAC) / 40 A max. (230 VAC)				
	Leakage Current				
	0.25 mA max.				
	External Fuse (recommend)				
	2 A slow blow type				
Output	Voltage (V.DC.)				
	3.3V	5V	12V	15V	24V
	Voltage Accuracy				
	±2%				
	Current (mA) max				
	2500	2000	833	667	417
	Line Regulation (LL-HL) (typ.)				
	±0.5%.				
	Load Regulation (5-100%) (typ.)				
	±1%.				
Minimum Load					
0%					
Maximum Capacitive Load					
8000 uF	8000 uF	2000 uF	1500 uF	560 uF	
Ripple					
75mV max (Vp-p)			1% of Vout		
Noise					
120mV max (Vp-p)			1% of Vout		
Efficiency (typ.)					
74%	79%	82%	78%	80%	
Hold-up Time					
20 ms (at 115VAC) / 80 ms (at 230VAC)					
Protection	Over Power Protection				
	Hiccup technique, auto-recovery				
	Over Voltage Protection				
Zener diode clamp					
Short Circuit Protection					
Hiccup mode, indefinite (automatic recovery)					
Isolation	Input-Output (V.AC)				
3000V					
Environment	Operating Temperature				
	-40°C...+70°C (with derating)				
	Storage Temperature				
	-40°C...+85°C				
	Temperature Coefficient				
±0.05%/°C					
Humidity					
20-85% RH					
MTBF					
>330,000 h @ 25°C (MIL-HDBK-217F)					
Physical	Dimension (L x W x H)				
	2.07 x 1.08 x 0.93 Inches (52.5 x 27.5 x 23.5 mm) Tolerance ±0.5 mm				
	Case Material				
	Plastic resin with Fiberglass (flammability to UL 94V-0)				
Weight					
58 g					
Cooling Method					
Free air convection					
Safety	Agency Approvals				
UL/cUL, CE, CB (Pendibg)					
EMC	EMI (Conducted & Radiated Emission)				
	EN 55022 class B (Pendibg)				
EMS (Noise Immunity)					
EN 55024 (Pendibg)					

NOTE

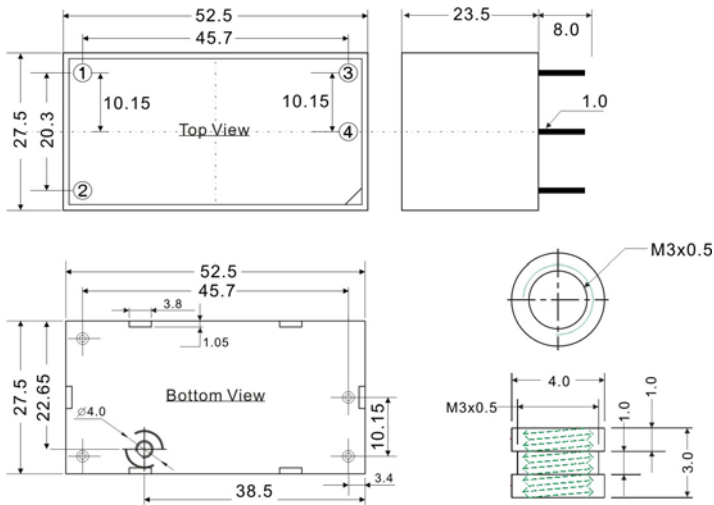
1. Ripple & Noise are measured at 20MHz of bandwidth with 0.1uF & 47uF parallel capacitor.
2. It's recommended to add Varistor 14S471K at L / N input side in parallel.
3. Please refer to our PDF file "AC-DC Application" on our website: www.archcorp.com.tw

BLOCK DIAGRAM

Single Output



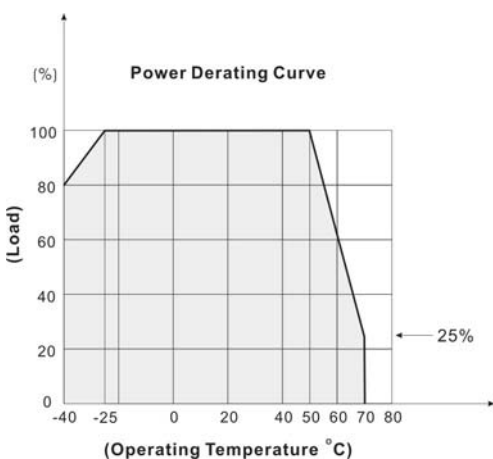
MECHANICAL DIMENSION (Top View)



PIN#	Single
1	AC IN (L)
2	AC IN (N)
3	+DC OUT
4	-DC OUT

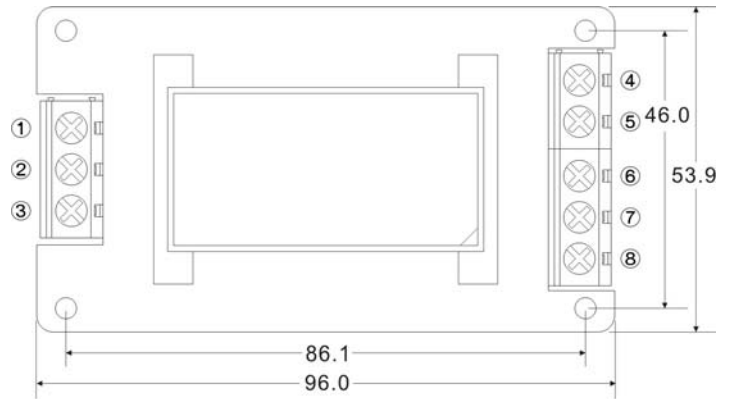
Maximum Torque 1.2 { 1.2 1 } (k g f . c m { N.m })

DERATING



SCREW TERMINAL
AFCN-A2


PIN#	Single
1	NO CONNECT
2	AC IN (L)
3	AC IN (N)
4	NO CONNECT
5	+DC OUT
6	-DC OUT
7	NO CONNECT
8	NO CONNECT


AFCN-A5


PIN#	Single
1	NO CONNECT
2	AC IN (L)
3	AC IN (N)
4	NO CONNECT
5	+DC OUT
6	-DC OUT
7	NO CONNECT
8	NO CONNECT

